

**Dimensions mm[inch]**



tolerances acc. to DIN ISO 2768-m  
 Toleranzen gem. DIN ISO 2768-m

**Terminals**

ends tinned  
 Enden verzinkt

**Cable**

round cable LIYY 2x0,14 mm<sup>2</sup>, grau  
 colour of wires: white and brown  
 Rundkabel LIYY 2x0,14 mm<sup>2</sup>, grau  
 Adernfarben: weiss und braun

**Nut**

polypropylene, white  
 Mutter, Polypropylen, weiss

**O-ring**

nitrile caoutchouc black  
 O-ring Nitril Kautschuk schwarz

**Stem**

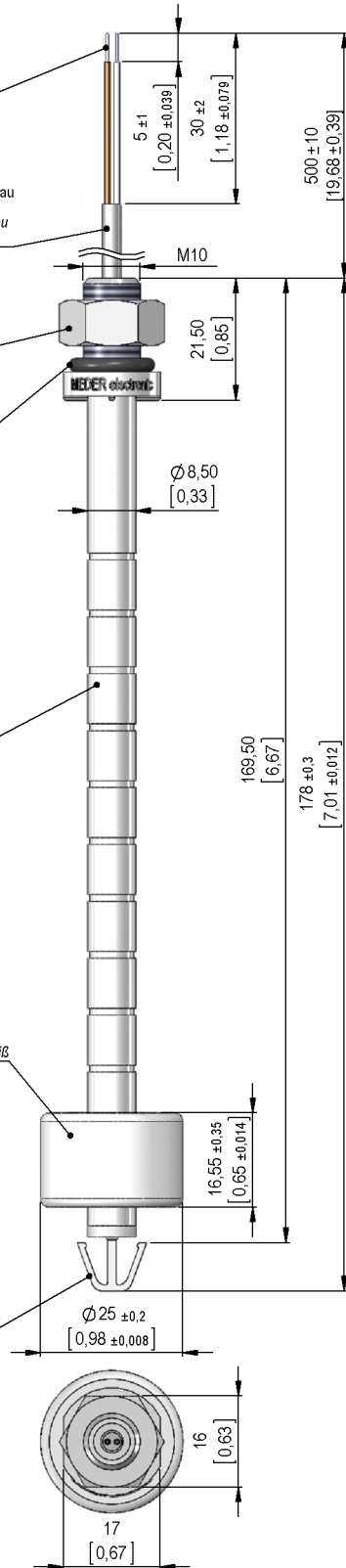
polypropylene white  
 Schaft Polypropylen weiss

**Float MS02**

polypropylene white  
 Schwimmer MS02 Polypropylen weiss

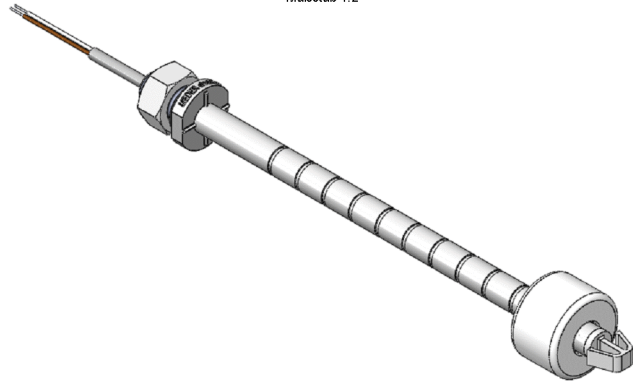
**Stopper**

polypropylene white  
 Stopper Polypropylen weiss



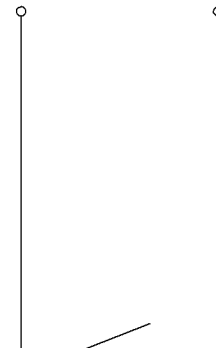
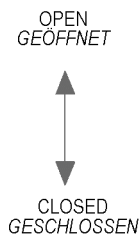
**Isometric**

Scale 1:2  
 Maßstab 1:2



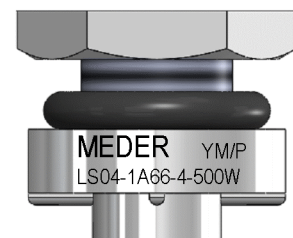
**Switching scale**

**Schematic**



**Marking**

according to EN60062/factory code  
 gem. EN60062/Fertigungsstätte





*Products for tomorrow...*

Europe: +49 / 7731 8399 0 | Email: info@meder.com  
 USA: +1 / 508 295 0771 | Email: salesusa@meder.com  
 Asia: +852 / 2955 1682 | Email: salesasia@meder.com

Item No.:  
**9542664054**  
 Item:  
**LS04-1A66-4-500W**

Special Product Data	Conditions	Min	Typ	Max	Unit
Number of contacts		1			
Contact - form		A - NO			
Contact rating	Any DC combination of V & A not to exceed their individual max.'s			10	W
Switching voltage	DC or Peak AC			180	V
Carry current	DC or Peak AC			1,25	A
Switching current	DC or Peak AC			0,5	A
Sensor-resistance	measured with 40% overdrive			380	mOhm
Housing material LS		PP			
Material of float		PP			
Case colour		white			
Sealing compound		Polyurethan			
Reach / RoHS conformity		yes			

Environmental data	Conditions	Min	Typ	Max	Unit
Shock	1/2 sine, duration 11ms, in 3 axis			50	g
Vibration	from 10 - 2000 Hz			20	g
Operating temperature	cable not moved	-30		70	°C
Operating temperature	cable moved	-5		70	°C
Storage temperature		-30		70	°C

Cable specification	Conditions	Min	Typ	Max	Unit
Cable type		round cable			
Cable material		PVC			
Cross section		0,14 sq-mm			

General data	Conditions	Min	Typ	Max	Unit
Mounting advice		over 5m cable, a resistor is recommended.			

Modifications in the sense of technical progress are reserved

Designed at: 11.07.11    Designed by: WKOVACS  
 Last Change at:            Last Change by:

Approval at: 11.07.11    Approval by: DKUECHLER  
 Approval at:            Approval by:

Version: 01